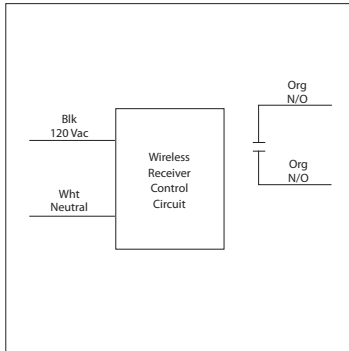


FDLR05B

Enclosed EnOcean® Enabled Wireless Relay
Receiver / Repeater 5 Amp SPST-N/O,
120 Vac Power Input, 902 MHz



Specifications

Relays & Contact Type: One (1) SPST Continuous Duty Coil
Expected Relay Life: 10 million cycles minimum mechanical
Operating Temperature: -30 to 140° F
Humidity Range: 5 to 95% (noncondensing)
Red LED: Relay Status / Learn Mode Status (Flashing)
Dimensions: 4.60" x 1.20" x 1.70"
Wires: 16", 600V Rated
Approvals: UL Listed, UL916, C-UL, RoHS
Agency Compliance: FCCID: SZV-TCM320U
IC: 5713A-TCM320U
Gold Flash: No
Override Switch: No
Frequency: 902 MHz
Receiver Sensitivity: -93 dBm typical
Conducted Power: 5 mW typical
Built-in Switch Modes: Alarm, Repeater, Delay, Rocker, Momentary, and Toggle

Contact Ratings:
5 Amp Ballast @ 120/277 Vac
5 Amp Tungsten @ 120 Vac
5 Amp Electronic Ballast @ 120 Vac
Power Input Ratings:
75 mA @ 120 Vac ; 60 Hz

Notes:

- Compatible with EnOcean® 902 MHz Switches/Transmitters.
- Typical range: 50-150 ft.
 - Open area transmission could be farther. Consult factory for more information.
- Repeater function only rebroadcasts original EnOcean® transmission. Up to two repeaters can be used.
- Version 1.5 firmware or later implements Functional Devices, Inc.'s EnOcean® Manufacturer ID of 0x055.
- For setup instructions, see website for FDLR Series Application Manual:
https://www.functionaldevices.com/downloads/bulletins/B2126_393251.pdf

5 AMP WIRELESS CONTROL RELAY



Smaller size design to fit
inside ballast housing of
light fixture.